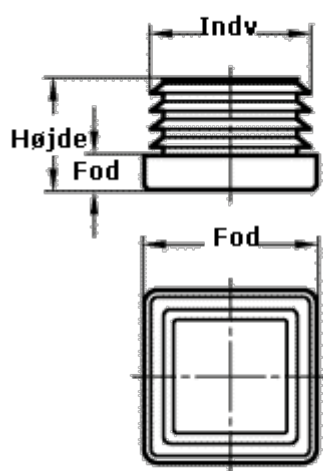


Data Sheet



Article number: 20991V40
Description: E+G tube end plug
GN 991-V40

Measures



Foot diameter	= 40mm
Foot length	= 5mm
Height	= 17mm
Internal tube diameter	= 36mm